

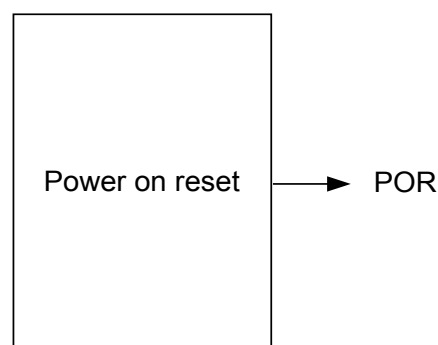
### DATA SHEET

#### Typical Applications

→ reset of the digital logic

#### Features

- Technology CMOS
- Area : 0.045 mm<sup>2</sup> (436µm x 104 µm)
- Consumption : 30 µA max
- Operating supply voltage : 3 V – 5.5 V



Pin Name	Description
<b>POR</b>	reset signal (active low)
<b>VDD</b>	High power supply
<b>VSS</b>	Low power supply

#### Product Description

This cell generates reset signal for digital blocks.

## Absolute Maximum Ratings

Symbol	Parameter	Min	Typ	Max	Unit
VDD	Power supply voltage	3		5.5	V
Tjc	Junction temperature	-40		85	°C
Tst	Storage temperature	-65		150	°C

## Characteristics

Symbol	Parameter	Min	Typ	Max	Unit
VDD	High power supply	3		5.5	V
VSS	Low power supply		0		V
IDD	Supply Current	20	26	30	μA

The high and low threshold are adjusted according to the target application.

## Waveform

