

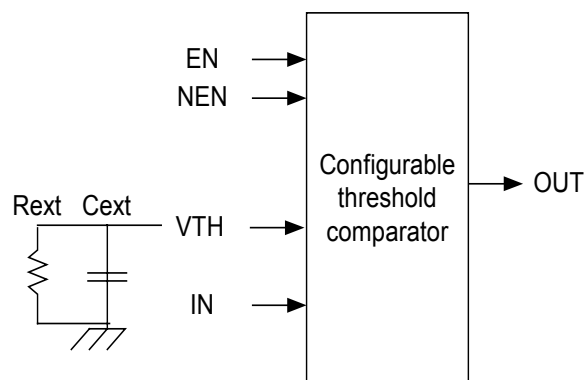
### DATA SHEET

#### Typical Applications

→ voltages comparison

#### Features

- Technology CMOS
- Area : 0.02 mm<sup>2</sup> (152μm x 130 μm)
- Consumption : 120 μA maximum
- Operating supply voltage : 3 V – 5.5 V
- Power down mode
- Hysteresis 33.6 mV typical



Pin Name	Description
<b>EN</b>	Power down control (active high).
<b>NEN</b>	Inverted power down control
<b>IN</b>	Input
<b>VTH</b>	threshold configuration input
<b>OUT</b>	output signal
<b>VDD</b>	High power supply
<b>VSS</b>	Low power supply

#### Product Description

Threshold is fixed by the external capacitor and resistor connected to VTH pin.

A power down mode is available.

The hysteresis of the comparator is 33.6mV typical.

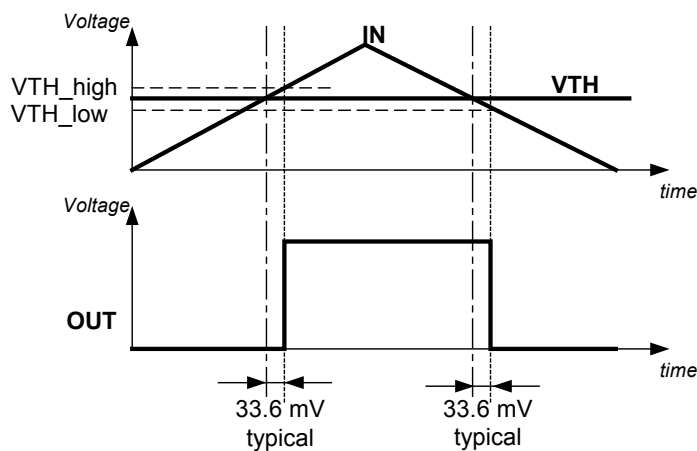
## Absolute Maximum Ratings

Symbol	Parameter	Min	Typ	Max	Unit
VDD	Power supply voltage	3		5.5	V
Tj	Junction temperature	0		60	°C
Tst	Storage temperature	-65		150	°C

## Characteristics

Symbol	Parameter	Min	Typ	Max	Unit
VDD	High power supply	3		5.5	V
VSS	Low power supply		0		V
IDD	Supply Current	40	80	120	μA
IDD_PD	Supply Current in Power Down Mode			0.01	μA
hysteresis	High and low	23	33.6	46	mV

## Waveform



## Block diagram

